

20 Tonne



MCLEOD

CRANES | HIABS | TRANSPORT
DRILLING RIG LOGISTICS
LIFT ENGINEERING & CONSULTANCY

Rough Terrain

Tadano TR200M-4

Lift Capacity: 20.0 Tonne
Boom Length: 32.1 m

Main Hook Weight: 220 Kg
Aux Hook Weight: 60 Kg
Line Pull: 3.3 Tonne
Spreader: 2.2m, 2.5m, 2.8m, 3.1m, 3.4m, 3.8m.

20 Tonne Rating Chart

M	8.5	14.4	20.3	26.2	32.1
2.5	20.0	12.0	9.0		
3.0	20.0	12.0	9.0		
3.5	20.0	12.0	9.0	7.0	
4.0	18.5	12.0	9.0	7.0	3.4
4.5	16.5	12.0	9.0	7.0	3.4
5.0	15.0	12.0	9.0	7.0	3.4
5.5	13.7	12.0	9.0	7.0	3.4
6.0	12.5	11.4	9.0	7.0	3.4
6.5	11.5	10.6	8.5	7.0	3.4
7.0		9.9	8.0	6.8	3.4
8.0		8.4	7.2	6.1	3.4
9.0		6.8	6.4	5.5	3.4
10.0		5.8	5.8	5.0	3.4
11.0		4.8	4.9	4.6	3.2
12.0		4.1	4.2	4.2	3.0
13.0			3.6	3.6	2.8
14.0			3.4	3.2	2.7
15.0			3.0	2.8	2.5
16.0			2.7	2.6	2.4
17.0			2.4	2.4	2.3
18.0			2.2	2.2	2.1
19.0				2.0	2.0
20.0				1.8	1.8
22.0				1.5	1.5
24.0				1.1	1.1
26.0					0.9
28.0					0.7
30.0					0.5



The charts that have been included have been reproduced from manufacturer specifications, and while every effort has been made to ensure their accuracy, we do not accept any responsibility for errors or omissions.

20 Tonne

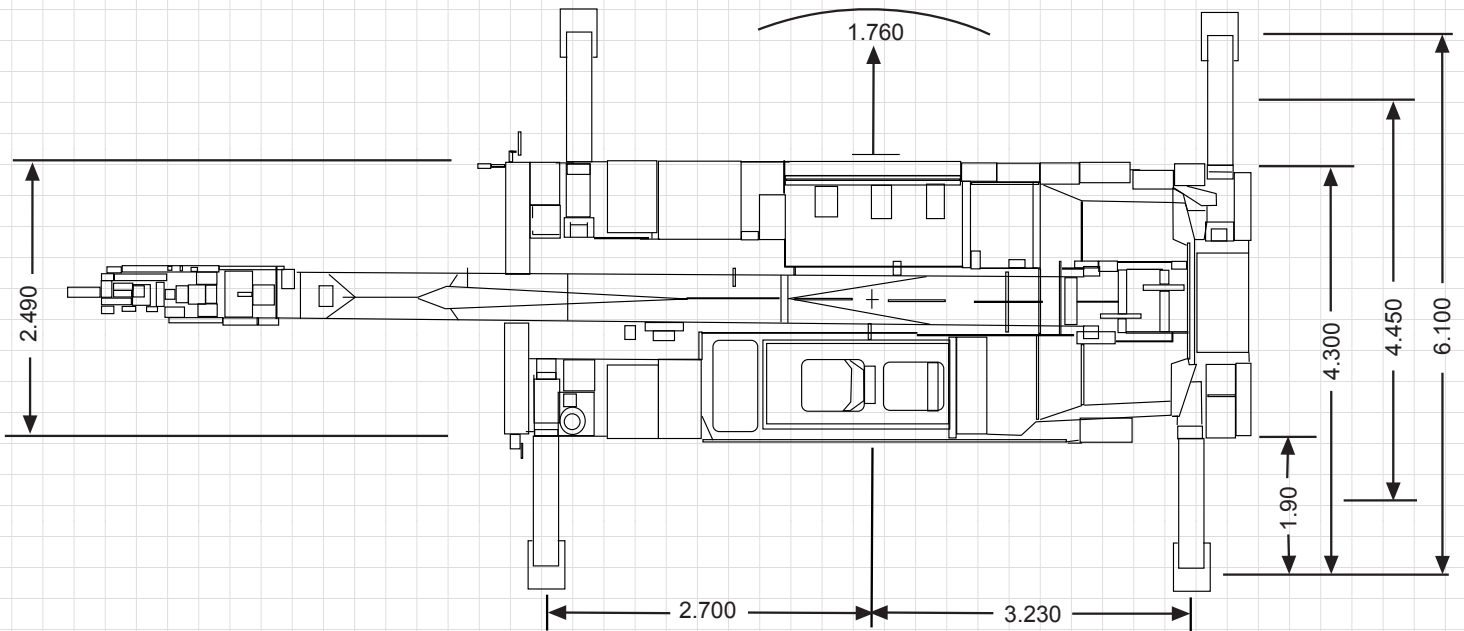
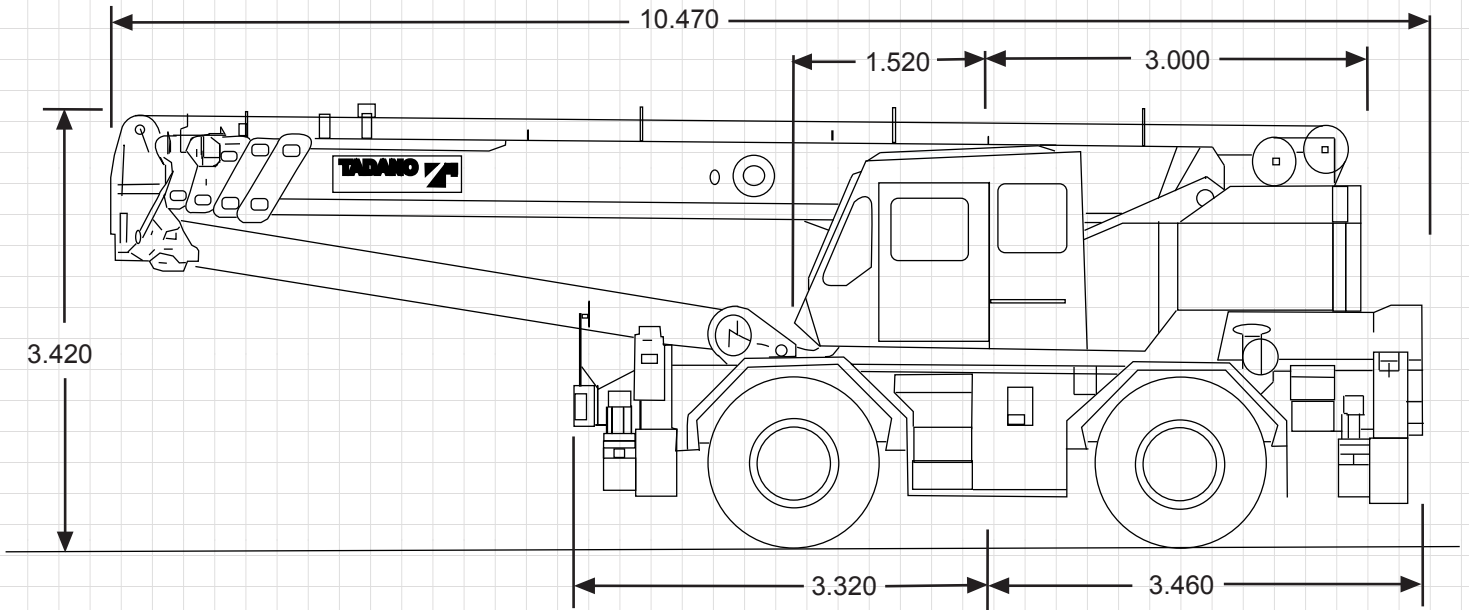
Rough Terrain

20

Tonne

Rough Terrain

20 Tonne Dimensions



**Safety first.
McLeod first.**

20

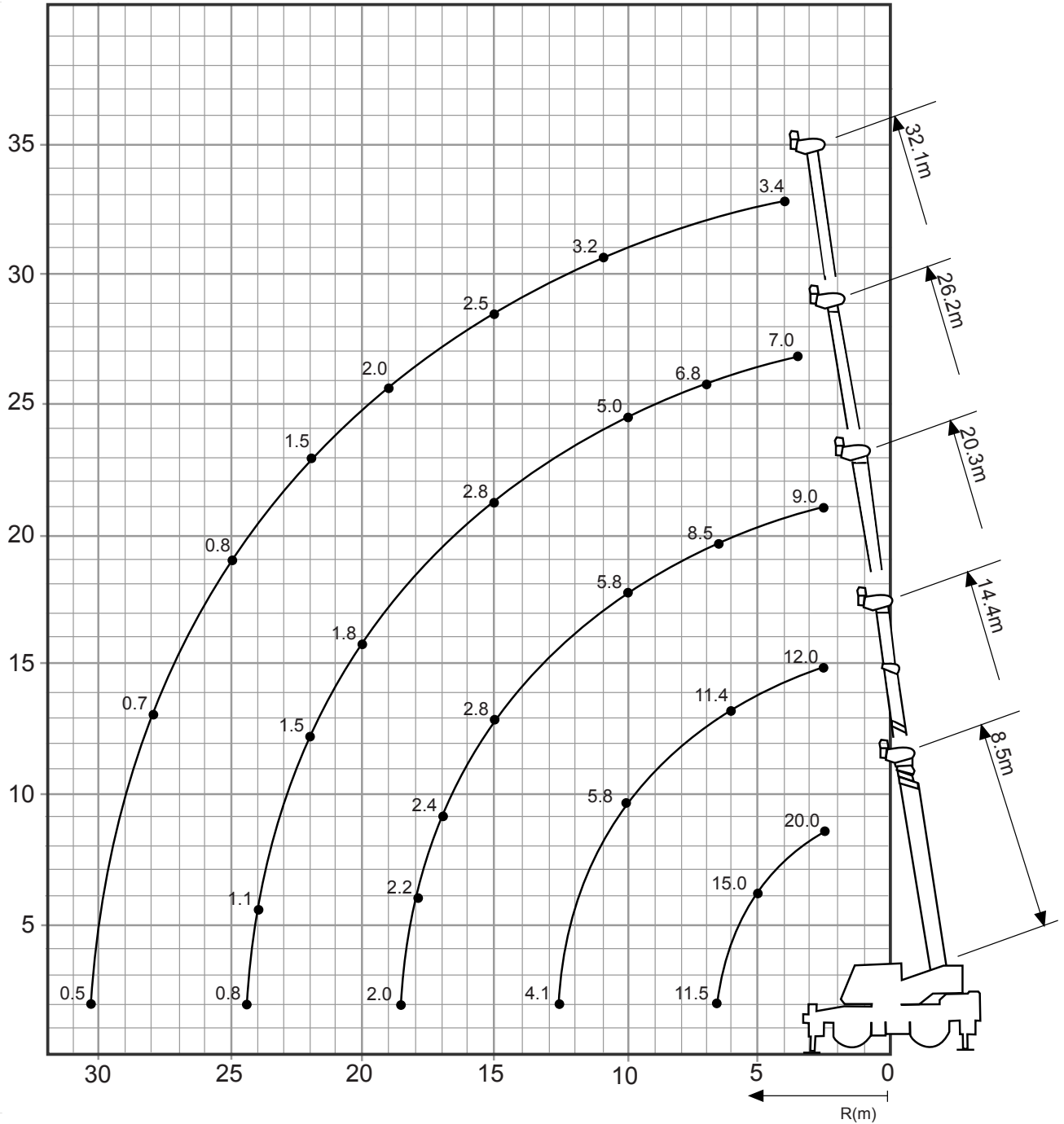
Tonne

Rough Terrain

20
Tonne

Rough Terrain

20 Tonne Working Range



**Safety first.
McLeod first.**

20
Tonne

Rough Terrain