

# 2.0

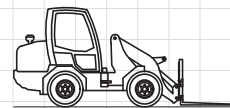
Tonne

Off Road  
Forklift



# MCLEOD

CRANES | HIABS | TRANSPORT  
DRILLING RIG LOGISTICS  
LIFT ENGINEERING & CONSULTANCY



## Giant V6004T

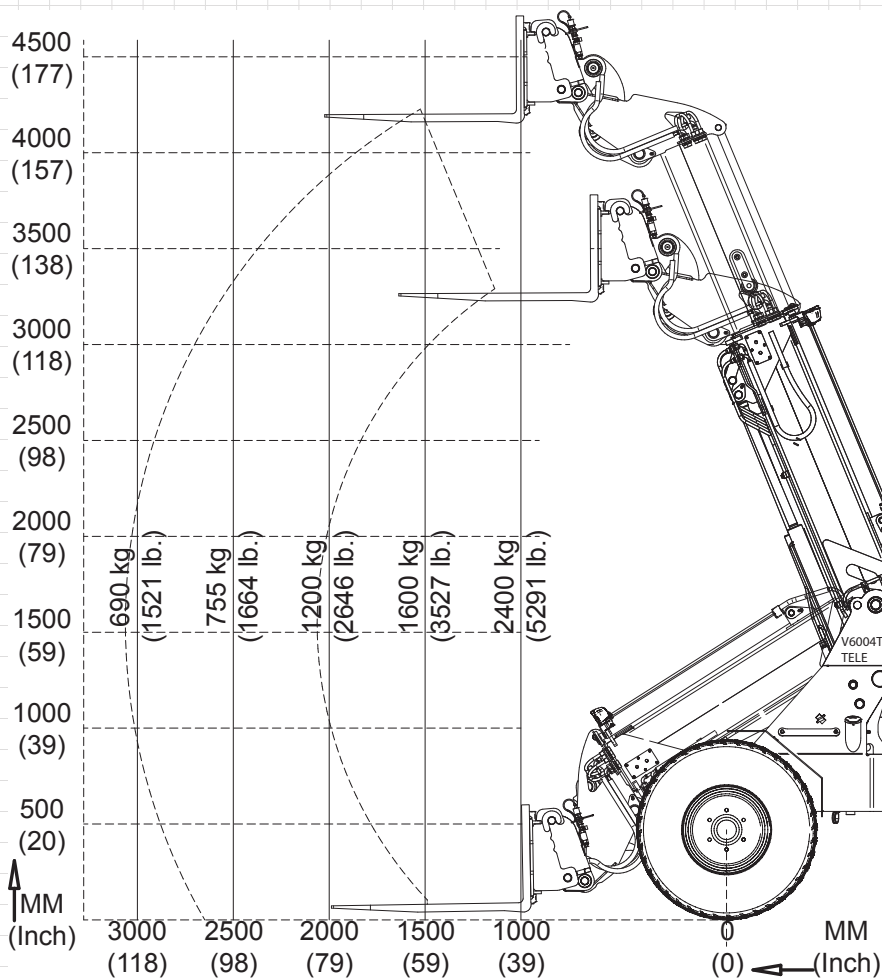
**Platform:** Giant Wheel Loader

**Maximum Lift:** 2400 Kg

**Max Fork Width:** 1800 mm

**Max Fork Height:** 1800 mm

## ForknFast Fork Load Chart



**Safety first.  
McLeod first.**

The charts that have been included have been reproduced from manufacturer specifications, and while every effort has been made to ensure their accuracy, we do not accept any responsibility for errors or omissions.

# 2.0

Tonne

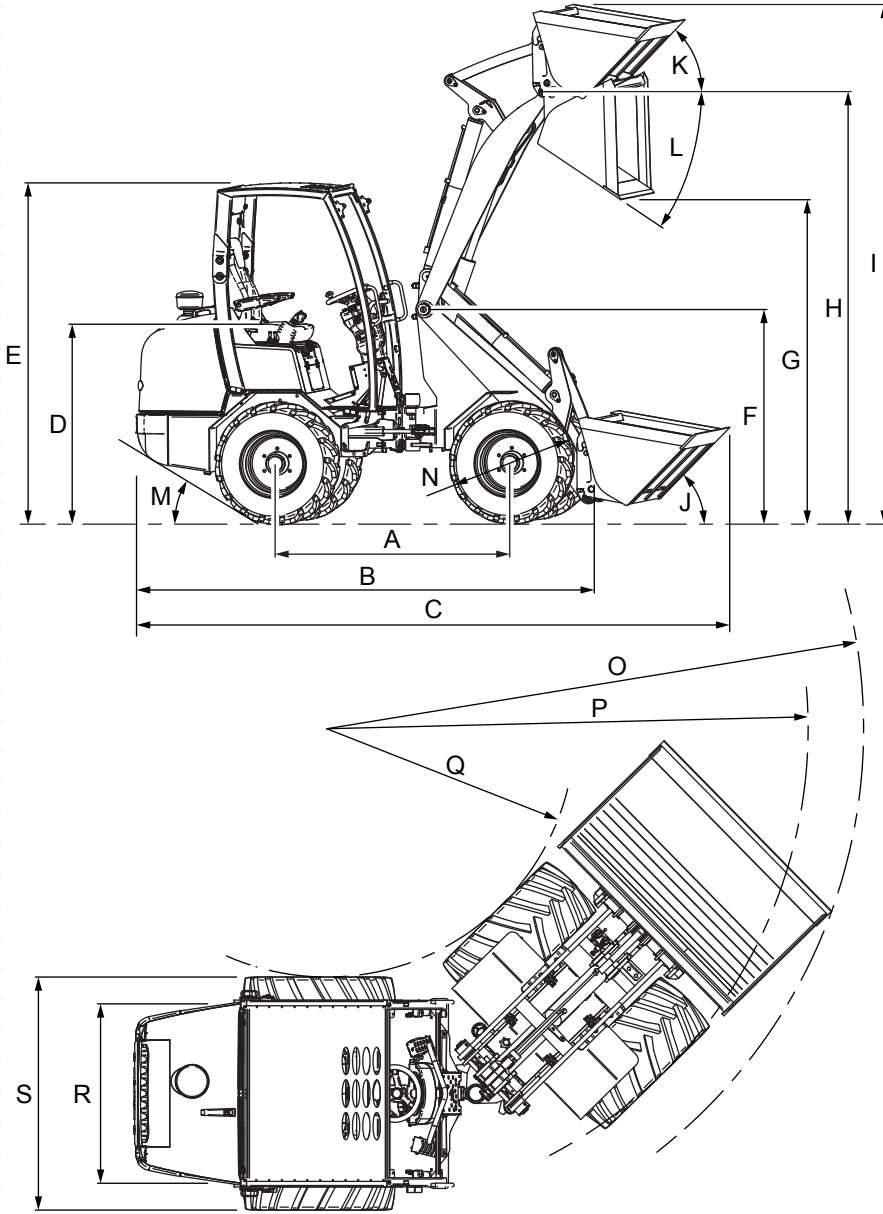
Off Road  
Forklift

# 2.0

Tonne

Off Road  
Forklift

## ForknFast Dimensions



- A. Wheel base: 1830mm
- B. Total length: 3705mm
- C. Length with bucket: 4525mm
- D. Seat height: 1270mm
- E. Height: 2300mm
- F. Frame height: 1270mm
- G. Dump height: 2450mm
- H. Height of pivot point: 3290mm
- I. Height with bucket: 3950mm
- J. Rollback angle, low: 41°
- K. Rollback angle, high: 57°
- L. Dump angle: 43°
- M. Angle of departure: 30°
- N. Wheel diameter: 940mm
- O. Turning radius with bucket: 3280mm
- P. Outside turning radius: 2860mm
- Q. Inside turning radius: 1480mm
- R. Track width: 1050mm
- S. Total width: 1400mm

**Safety first.  
McLeod first.**

# 2.0

Tonne

Off Road  
Forklift