

1.2

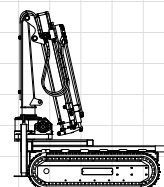
Tonne

Tracked Carrier



MCLEOD

CRANES | HIABS | TRANSPORT
DRILLING RIG LOGISTICS
LIFT ENGINEERING & CONSULTANCY

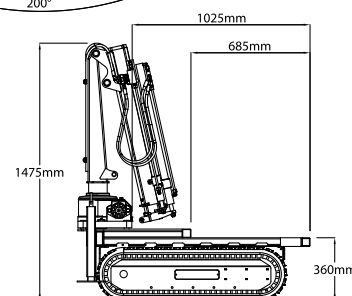
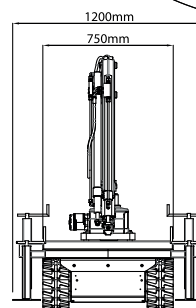
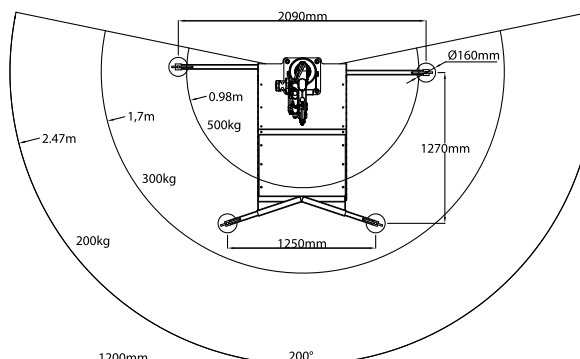
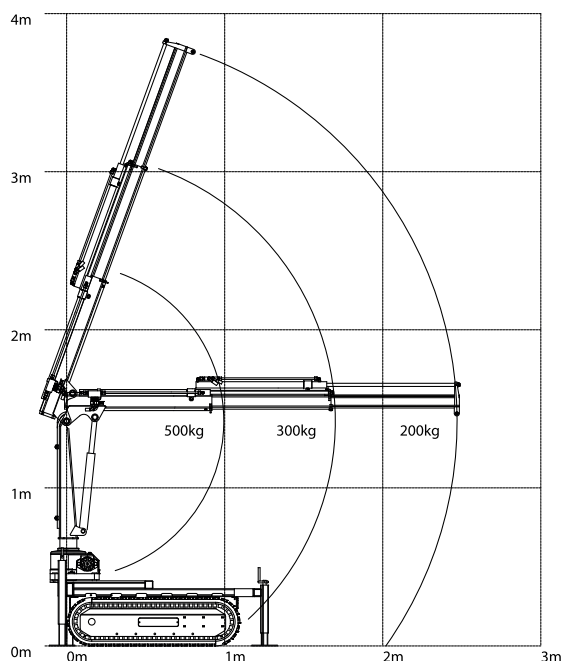


Tracked Carrier 1200 Pro

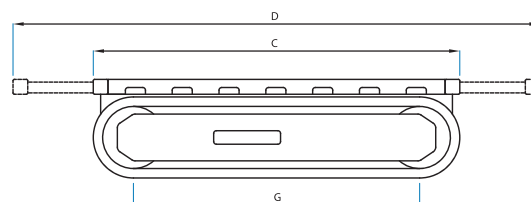
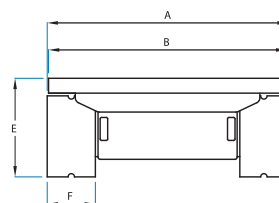
Platform:	Tracked Carrier
Deck Length:	1120 mm
Maximum Payload:	1200 Kg
Max Payload on Gradient:	300 kg
Max Gradient:	45 °
Max Side Slope:	30 °
Unladen weight:	340 kg

Width:	750 mm
Deck Width:	740 mm
Extended Deck Length:	1700 mm
Height:	360 mm
Ground Clearance:	60 mm
Speed:	3 km/h
Unladen weight with crane:	440 Kg
Crane Capacity:	500 Kg

Tracked Carrier Capability



DIMENSIONS	Width overall (A)	750mm
	Width of bed (B)	740mm
	Length of bed/overall (C)	1120mm
	Length extended (D)	1700mm
	Height (E)	360mm
	Track width (F)	150mm
	Track length on ground (G)	800mm
	Ground clearance (centre)	60mm



The charts that have been included have been reproduced from manufacturer specifications, and while every effort has been made to ensure their accuracy, we do not accept any responsibility for errors or omissions.

1.2

Tonne

Tracked Carrier