

15 Tonne

Pick & Carry Crane



MCLEOD

CRANES | HIABS | TRANSPORT
DRILLING RIG LOGISTICS
LIFT ENGINEERING & CONSULTANCY

Tidd PC28

Lift Capacity: 15.0 Tonne
Boom Length: 13.86 m
Manual Ext: 17.91 m

Main Hook Weight: 150 Kg
Line Pull: 3.5 Tonne

15 Tonne Rating Chart

Pick & Carry 0.4m/s (1.44 km/h)



66.6%



5.66 m – 13.86 m

AS 1418.5

m	(m)																	m			
	5.66	6.00	6.50	7.00	7.50	8.00	8.50	9.00	9.50	10.00	10.50	11.00	11.50	12.00	12.50	13.00	13.50		13.86		
1.6	10500	10500	10500	10500	10500																
	48°	50°	54°	57°	59°																
2.0	10500	10500	10500	10500	10500	10500	10500														
	42°	46°	50°	53°	56°	58°	60°														
2.5	10400	10350	10350	10350	10350	10350	10350	9950	9650												
	9250	9250	9250	9250	9250	9250	9250	9200	9200												
	34°	39°	44°	48°	51°	54°	56°	58°	60°												
3.0	8500	8500	8500	8500	8500	8500	8500	8500	8500	8300	7350										
	7600	7600	7600	7600	7600	7550	7550	7550	7550	7550	7350										
	25°	31°	37°	42°	46°	49°	52°	55°	57°	58°	60°										
3.5	7200	7200	7200	7200	7200	7200	7150	7150	7150	7150	6750	5950	5650								
	6400	6400	6400	6400	6400	6400	6400	6400	6350	6350	6350	5950	5650								
	9°	20°	30°	36°	41°	45°	48°	51°	53°	55°	57°	59°	60°								
4.0	6950	6250	6200	6200	6200	6200	6200	6200	6200	6150	6150	5500	5250	5000	4800						
	6150	5550	5500	5500	5500	5500	5500	5500	5500	5500	5500	5500	5450	5250	5000	4800					
	(3.61)	(3.95)	20°	28°	35°	39°	43°	46°	49°	52°	54°	56°	57°	59°	60°						
4.5			5450	5400	5400	5400	5400	5400	5400	5400	5400	5150	4900	4650	4500	4300	4150				
			4850	4800	4800	4800	4800	4800	4800	4800	4800	4800	4800	4650	4500	4300	4150				
			(4.45)	19°	28°	34°	38°	42°	45°	48°	50°	52°	54°	56°	57°	59°	60°				
5.0				4850	4800	4800	4800	4800	4800	4800	4800	4800	4800	4550	4350	4200	4050	3900	3800		
				4300	4250	4250	4250	4250	4250	4250	4250	4250	4250	4250	4200	4200	4050	3900	3800		
				(4.95)	18°	27°	33°	37°	41°	44°	47°	49°	51°	53°	55°	56°	58°	59°			
6.0					4300	3900	3850	3850	3850	3850	3850	3850	3850	3700	3550	3300	3200				
					3800	3450	3400	3400	3400	3400	3400	3400	3400	3400	3400	3400	3300	3200			
					(5.45)	(5.95)	17°	25°	31°	35°	39°	42°	45°	47°	49°	51°	52°	54°			
7.0							3550	3200	3200	3200	3200	3200	3200	3200	3200	3050	2950	2850			
							3100	2800	2800	2800	2800	2800	2800	2800	2800	2800	2800	2800			
							(6.45)	(6.95)	16°	24°	29°	34°	37°	40°	43°	45°	47°	48°			
8.0										2950	2700	2700	2700	2700	2700	2700	2650	2600			
										2600	2350	2350	2350	2350	2350	2350	2350	2350			
										(7.45)	(7.95)	16°	23°	28°	32°	36°	38°	41°	43°		
9.0												2500	2300	2300	2300	2300	2300	2300			
												2200	2000	2000	2000	2000	2000	2000			
												(8.45)	(8.95)	15°	22°	27°	31°	34°	36°		
10.0															2150	2000	2000	2000			
															1850	1750	1750	1750			
															(9.45)	(9.95)	14°	21°	26°	29°	
11.0																	1900	1750	1750		
																	1600	1500	1500		
																	(10.45)	(10.95)	14°	19°	
11.81																			1650	1550	
																			1400	1350	
																			(11.45)	(11.81)	



The charts that have been included have been reproduced from manufacturer specifications, and while every effort has been made to ensure their accuracy, we do not accept any responsibility for errors or omissions.

15 Tonne

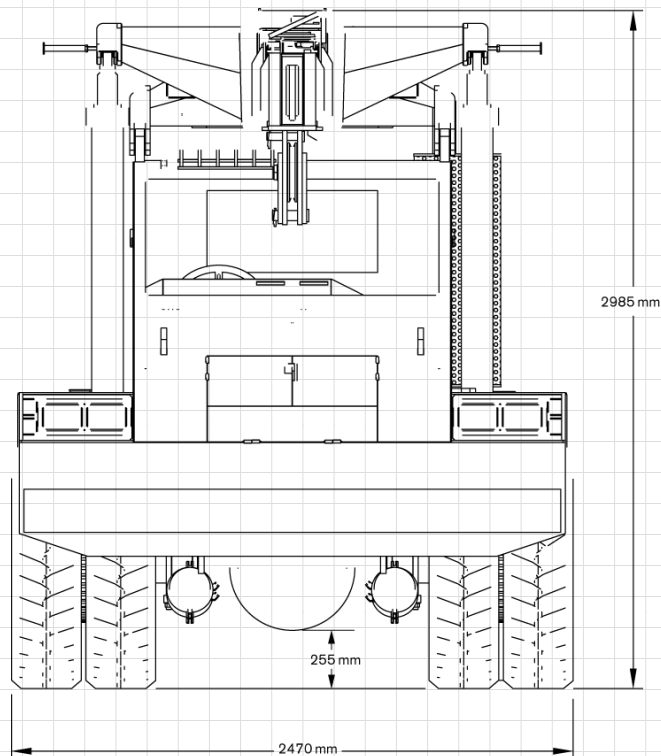
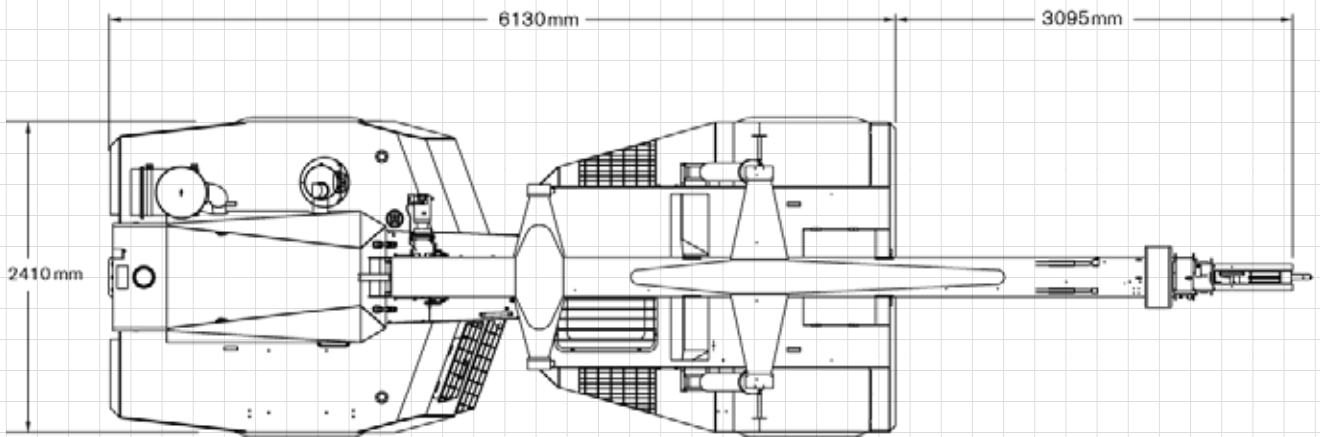
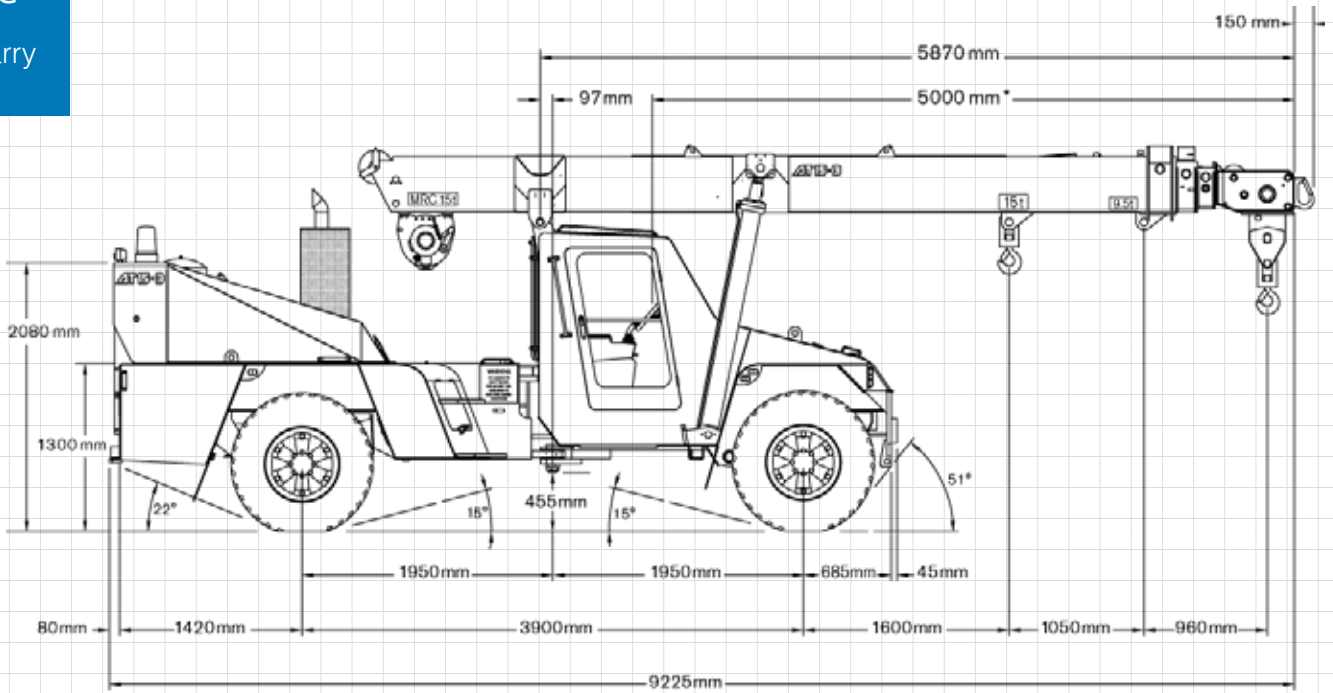
Pick & Carry Crane

15

Tonne

Pick & Carry
Crane

15 Tonne Dimensions



**Safety first.
McLeod first.**

15

Tonne

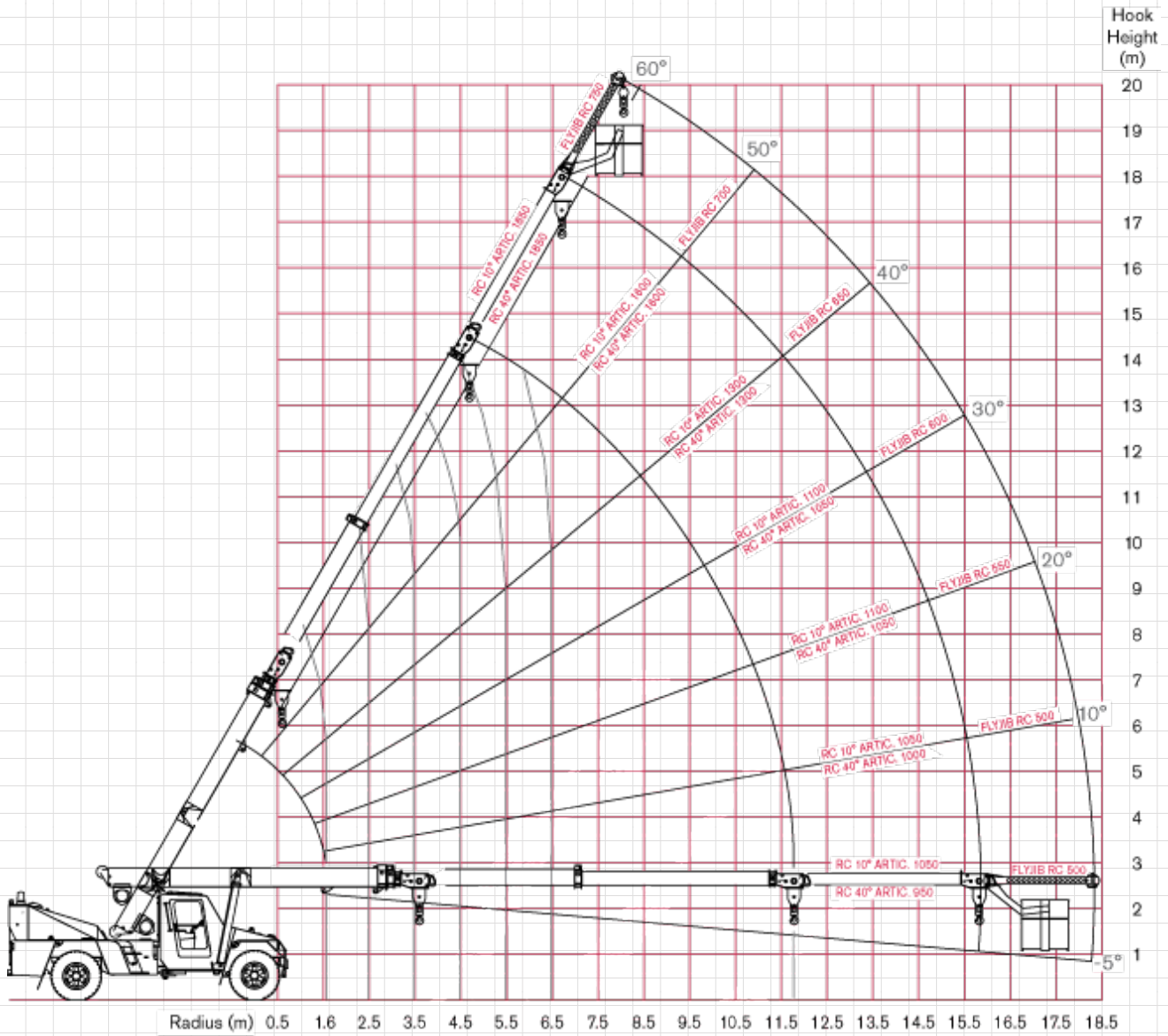
Pick & Carry
Crane

15

Tonne

Pick & Carry
Crane

15 Tonne Working Range



15000	9800	7200	5400	4300	3500	2900	2400	2100	1800	1550	RC (KG) 10° ART.	10 TONNE REAR AXLE
14000	8800	6300	4800	3800	3000	2500	2100	1800	1600	1350	RC (KG) 40° ART.	

**Safety first.
McLeod first.**

15

Tonne

Pick & Carry
Crane