

25 Tonne

City Crane



MCLEOD

CRANES | HIABS | TRANSPORT
DRILLING RIG LOGISTICS
LIFT ENGINEERING & CONSULTANCY

Kato CR250

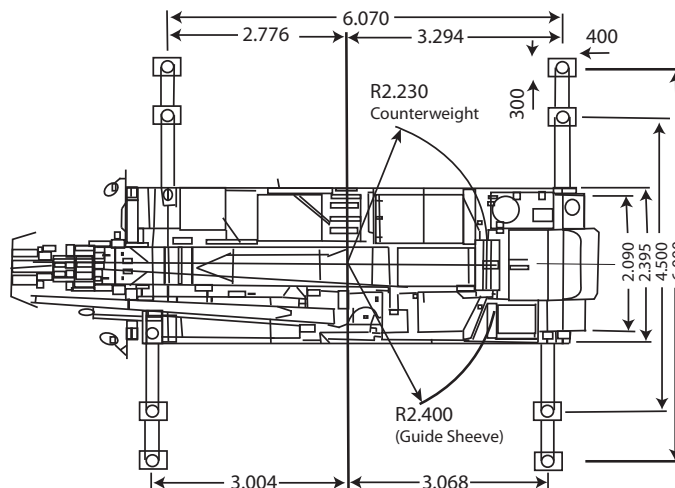
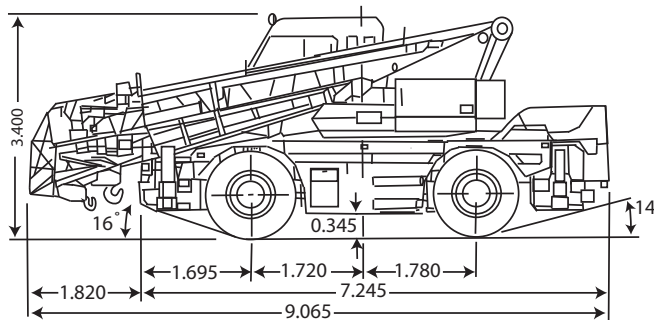
Lift Capacity: 25.0 Tonne
Boom Length: 28.0 m
Fly Jib Length: 5.4 m - 8.2 m

Main Hook Weight: 180 Kg
Aux Hook Weight: 100 Kg
Line Pull: 2.6 Tonne

25 Tonne Rating Chart

m	Outriggers fully extended (6.0m) 360° full range					CR-250 Crane Outrigger intermediately extended (4.5m) 360° full range					Outriggers completely retracted (blocked on vertical cylinders) 360° full range				
	6.7	11	15.2	21.6	28	6.7	11	15.2	21.6	28	6.7	11	15.2	21.6	28
2.8	25	12	12			25	12	12			10	9.5	7.9		
3.0	22	12	12	8		22	12	12	8		8.75	8.45	7.15	6.5	
3.5	20	12	12	8		20	12	12	8		6.6	6.3	5.65	5.45	
4.0	17	12	12	8	6.5	17	12	12	8	6.5	5.1	4.85	4.55	4.55	4.25
4.5	15	12	12	8	6.5	15	12	12	8	6.5	4.1	3.85	3.7	3.8	3.65
5		12	12	8	6.5		12	12	8	6.5		3.1	3	3.2	3.15
5.5		12	12	8	6.5		9.8	9.7	8	6.5		2.5	2.4	2.7	2.7
6		12	11.5	8	6.5		8.2	8.1	8	6.5		2.05	1.95	2.3	2.35
7		11.3	10.6	7.85	6.5		7	6.85	7.25	6.5		1.6	1.55	1.95	2
8		10.15	9.9	7.1	5.9		6	5.95	6.55	6.5		1.25	1.2	1.65	1.75
9		7.9	7.8	6.35	5.35		4.6	4.5	5.1	5.4		0.7	0.6	1.15	1.3
10		6.2	6.1	5.45	4.8		3.6	3.45	4.05	4.4					
11			4.9	4.6	4.3			2.65	3.3	3.6					
12			4	3.85	3.85			2.05	2.65	3					
13			3.25	3.3	3.5			1.55	2.15	2.5					
14			3.65	2.8	3.1			1.15	1.75	2.1					
15				2.35	2.7				1.4	1.75					
16				2	2.35				1.15	1.45					
17				1.7	2				0.9	1.2					
18				1.45	1.75				0.7	0.95					
19				1.2	1.5				0.5	0.8					
20			(19.7m)	1.05	1.3				0.35	0.6					
21					1.15					0.45					
22					0.95					0.35					
23					0.8										
24					0.7										
25					0.6										
26					0.5										
standard hook	25 ton optional	for 22 ton					for 22 ton				25 ton optional	for 22 ton			
Hook Mass	200kg	200kg				200kg	200kg				200kg	200kg			
Parts of Line	7	4				7	4				7	4			
Critical Boom Angle	--	--	--	--	--	--	--	--	--	35°	--	20°	51°	62°	69°

25 Tonne Dimensions



Think safety.
Think McLeod.

McLEOD

The charts that have been included have been reproduced from manufacturer specifications, and while every effort has been made to ensure their accuracy, we do not accept any responsibility for errors or omissions.