

80 Tonne

All Terrain



MCLEOD

CRANES | HIABS | TRANSPORT
DRILLING RIG LOGISTICS
LIFT ENGINEERING & CONSULTANCY

Grove GMK4075

Lift Capacity: 75.0 Tonne
Boom Length: 43.2 m
Fly Length: 10.0 -17.0m

Main Hook Weight: 450 Kg
Aux Hook Weight: 200 Kg
Line Pull: 5.1 Tonne

80 Tonne Rating Chart

11,2-43,2 m		360°		16,1 t		DIN/ISO				
m	11,2	15,2	19,2	23,2	27,2	31,2	35,2	39,2	43,2	
2,5	80,0**/ 75,0*									
3,0	68,5	56,0	53,0	50,5	33,5					
4,0	52,0	49,0	46,0	44,0	33,5	24,5				
5,0	45,0	43,5	41,0	38,5	33,5	24,5	17,5			
6,0	39,0	38,5	37,0	34,5	33,5	23,5	17,5	13,5		
7,0	33,5	34,0	33,5	31,5	30,5	22,0	17,5	13,5	10,5	
8,0	28,0	28,5	28,0	27,0	26,0	20,5	17,5	13,5	10,5	
9,0		23,5	24,0	23,5	22,0	19,0	16,5	13,5	10,5	
10,0		20,0	20,5	20,5	19,4	17,8	15,4	13,5	10,5	
11,0		17,2	17,7	17,6	17,1	16,8	14,4	12,9	10,5	
12,0		14,9	15,4	15,3	15,0	15,2	13,4	12,2	10,5	
13,0			13,6	13,5	13,8	13,7	12,4	11,6	10,5	
14,0			12,0	12,0	12,5	12,2	11,6	11,0	10,1	
15,0			10,8	11,0	11,2	10,9	11,0	10,1	9,5	
16,0			9,7	10,2	10,1	9,8	10,0	9,3	9,1	
18,0				8,5	8,3	8,5	8,2	8,2	7,9	
20,0				7,1	7,0	7,1	7,0	6,8	6,5	
22,0					5,9	6,1	5,9	5,8	5,5	
24,0					5,2	5,2	5,0	4,9	4,6	
26,0						4,5	4,3	4,2	3,9	
28,0						3,9	3,7	3,6	3,3	
30,0							3,2	3,1	2,8	
32,0							2,8	2,6	2,3	
34,0								2,3	2,0	
36,0								1,9	1,6	
38,0									1,3	
40,0									1,1	



The charts that have been included have been reproduced from manufacturer specifications, and while every effort has been made to ensure their accuracy, we do not accept any responsibility for errors or omissions.

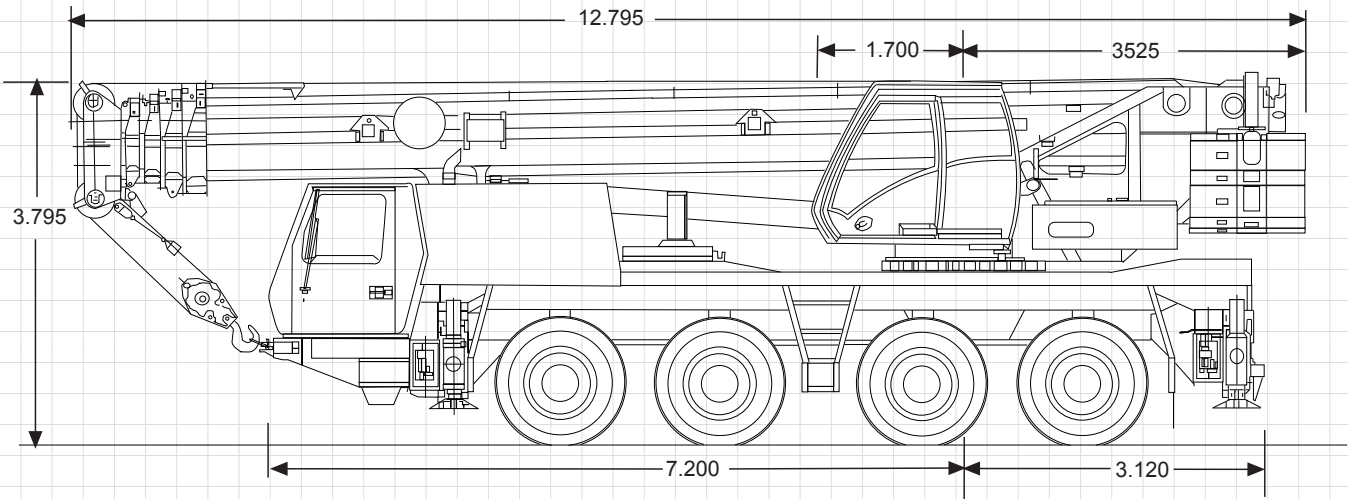
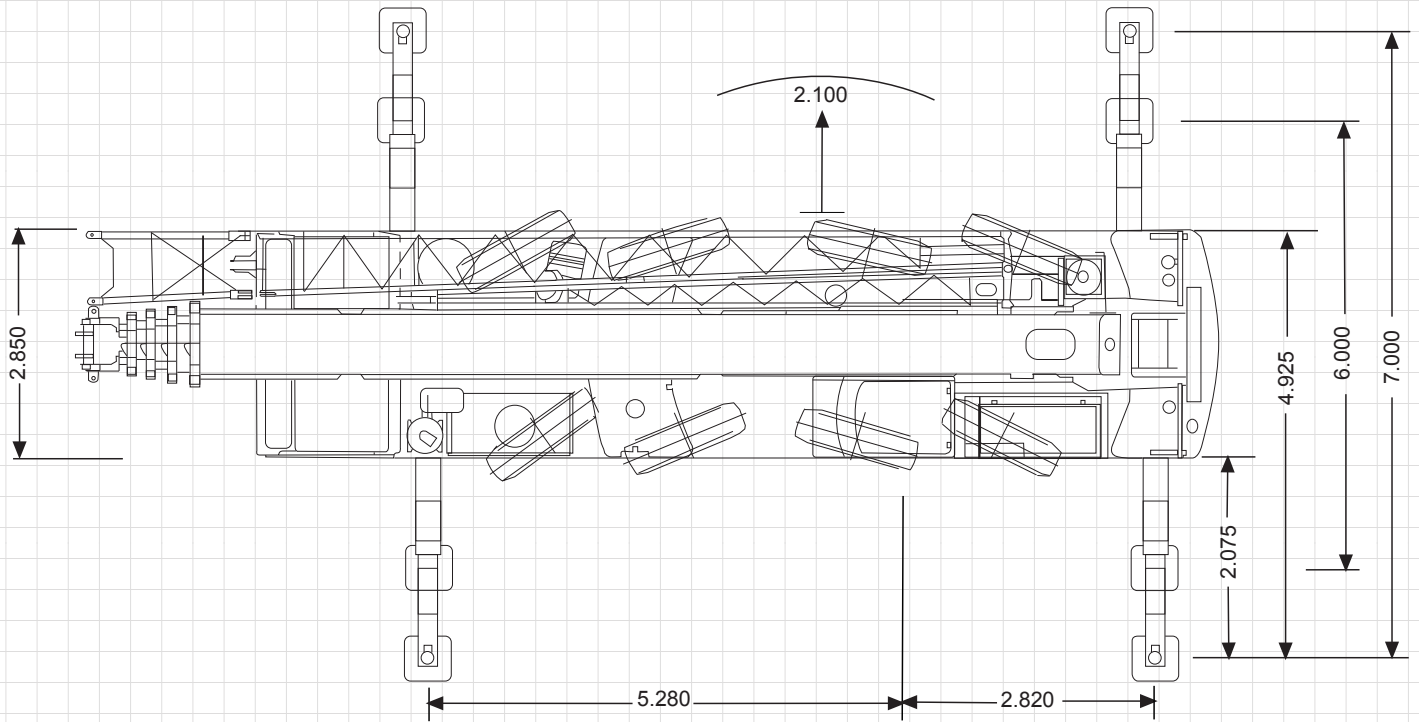
80 Tonne

All Terrain

80
Tonne

All Terrain

80 Tonne Dimensions



**Safety first.
McLeod first.**

80
Tonne

All Terrain

80 Tonne

All Terrain

80 Tonne Working Range



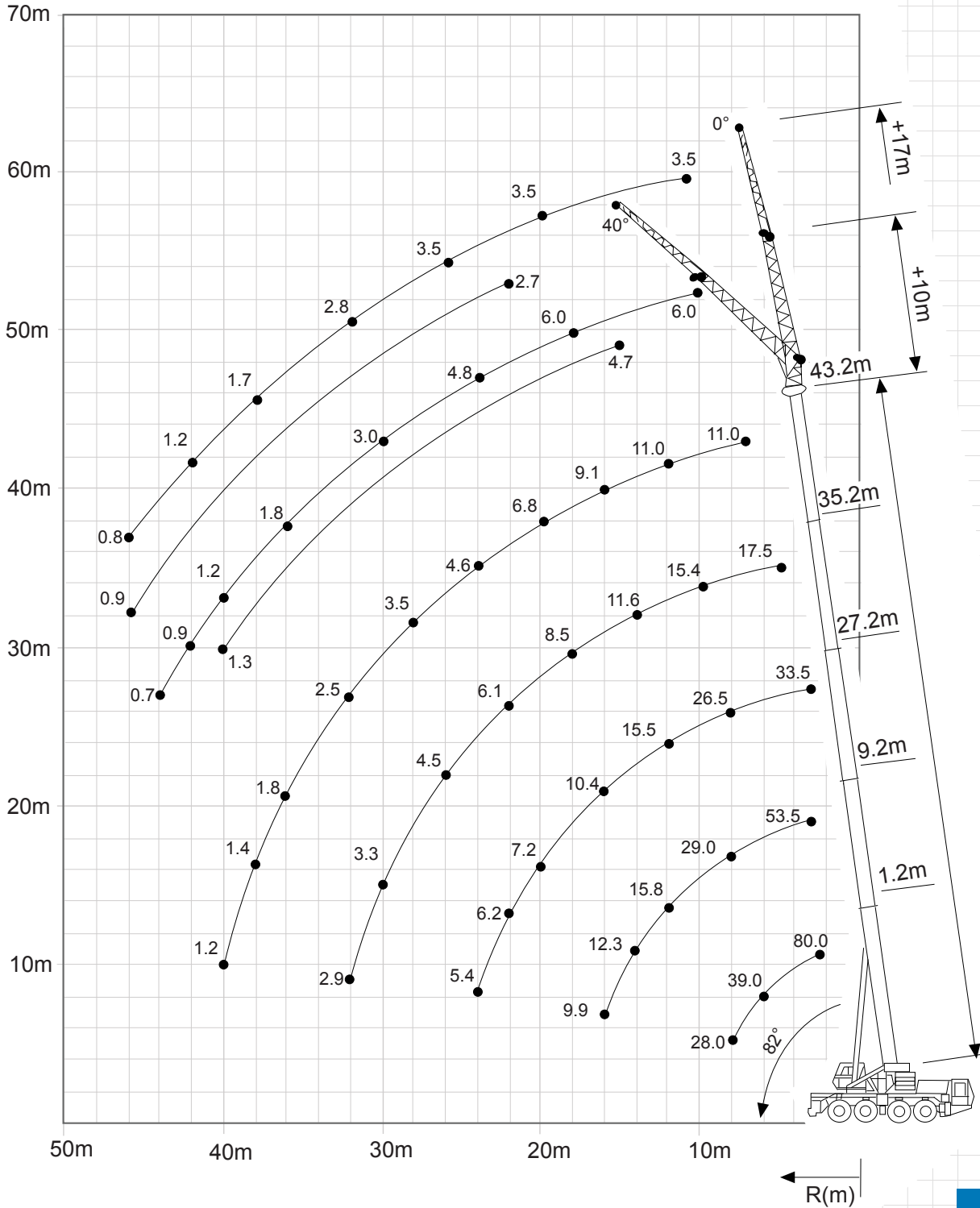
11.2-43.2 m



5° - 40°
10/27 m



360°



**Safety first.
McLeod first.**

80 Tonne

All Terrain