

100

Tonne

All Terrain



MCLEOD

CRANES | HIABS | TRANSPORT
DRILLING RIG LOGISTICS
LIFT ENGINEERING & CONSULTANCY

Grove GMK5100

Lift Capacity: 100.0 Tonne
Boom Length: 51.0 m
Fly Length: 11.0 -18.0m

Main Hook Weight: 675 Kg
Aux Hook Weight: 200 Kg
Line Pull: 7.1 Tonne

100 Tonne Rating Chart



12,8 – 51 m



7,5 m



360°



31 t



DIN/ISO

| m | 12,8* | 12,8 | 17,6 | 22,4 | 27,1 | 31,9 | 36,7 | 41,5 | 46,2 | 51,0 |
|------|-------|------|------|------|------|------|------|------|------|------|
| 3,0 | 100,0 | 93,0 | 79,0 | 64,5 | | | | | | |
| 4,0 | 76,0 | 76,0 | 72,5 | 63,0 | 50,0 | 37,0 | | | | |
| 5,0 | 65,5 | 66,5 | 63,5 | 62,0 | 50,0 | 37,0 | 26,0 | | | |
| 6,0 | 58,5 | 58,5 | 56,5 | 54,5 | 50,0 | 37,0 | 26,0 | 19,2 | | |
| 7,0 | 51,5 | 51,5 | 51,0 | 49,0 | 47,0 | 37,0 | 26,0 | 19,2 | 14,7 | |
| 8,0 | 45,5 | 45,5 | 46,0 | 44,5 | 43,0 | 35,5 | 26,0 | 19,2 | 14,7 | 12,2 |
| 9,0 | 38,5 | 38,5 | 41,5 | 40,5 | 40,0 | 33,5 | 25,0 | 19,2 | 14,7 | 12,2 |
| 10,0 | 28,5 | 28,5 | 37,5 | 37,0 | 36,5 | 31,0 | 23,5 | 19,2 | 14,7 | 12,2 |
| 11,0 | | | 32,5 | 32,0 | 32,0 | 29,5 | 22,0 | 18,6 | 14,7 | 12,2 |
| 12,0 | | | 29,0 | 29,0 | 28,5 | 27,5 | 20,5 | 18,1 | 14,7 | 12,2 |
| 13,0 | | | 25,5 | 25,5 | 25,0 | 25,5 | 19,1 | 17,5 | 14,6 | 12,2 |
| 14,0 | | | 23,0 | 22,5 | 22,0 | 23,0 | 18,0 | 16,4 | 14,5 | 12,2 |
| 15,0 | | | | 20,5 | 20,5 | 20,5 | 16,9 | 15,3 | 13,8 | 12,0 |
| 16,0 | | | | 18,3 | 19,2 | 18,7 | 15,8 | 14,3 | 13,1 | 11,8 |
| 18,0 | | | | 15,9 | 16,0 | 15,5 | 14,3 | 12,9 | 11,9 | 11,2 |
| 20,0 | | | | | 13,5 | 13,0 | 12,6 | 11,5 | 10,7 | 10,2 |
| 22,0 | | | | | 11,6 | 11,1 | 11,7 | 10,1 | 9,5 | 9,4 |
| 24,0 | | | | | | 9,6 | 10,1 | 9,2 | 8,8 | 8,6 |
| 26,0 | | | | | | 9,0 | 8,8 | 8,3 | 8,0 | 7,7 |
| 28,0 | | | | | | 8,2 | 7,7 | 7,6 | 7,1 | 6,9 |
| 30,0 | | | | | | | 6,8 | 7,0 | 6,2 | 6,1 |
| 32,0 | | | | | | | 6,0 | 6,2 | 5,8 | 5,7 |
| 34,0 | | | | | | | | 5,5 | 5,4 | 5,1 |
| 36,0 | | | | | | | | 4,9 | 4,9 | 4,5 |
| 38,0 | | | | | | | | 4,4 | 4,3 | 3,9 |
| 40,0 | | | | | | | | | 3,8 | 3,5 |
| 42,0 | | | | | | | | | 3,4 | 3,0 |
| 44,0 | | | | | | | | | | 2,6 |
| 46,0 | | | | | | | | | | 2,3 |



The charts that have been included have been reproduced from manufacturer specifications, and while every effort has been made to ensure their accuracy, we do not accept any responsibility for errors or omissions.

100

Tonne

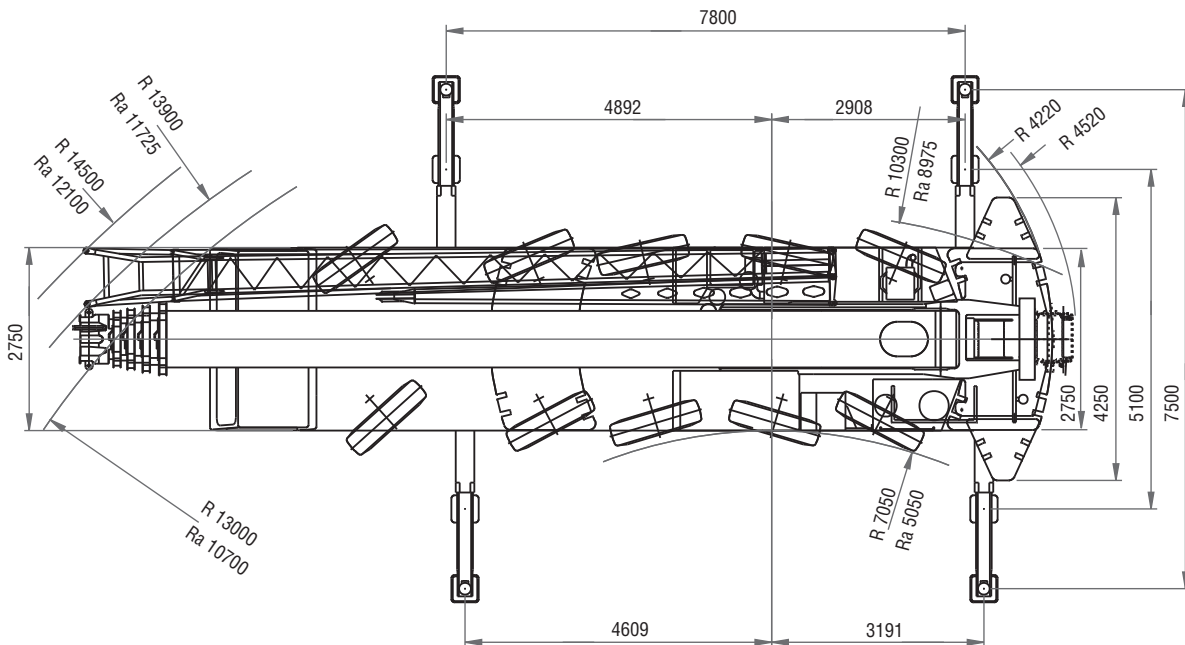
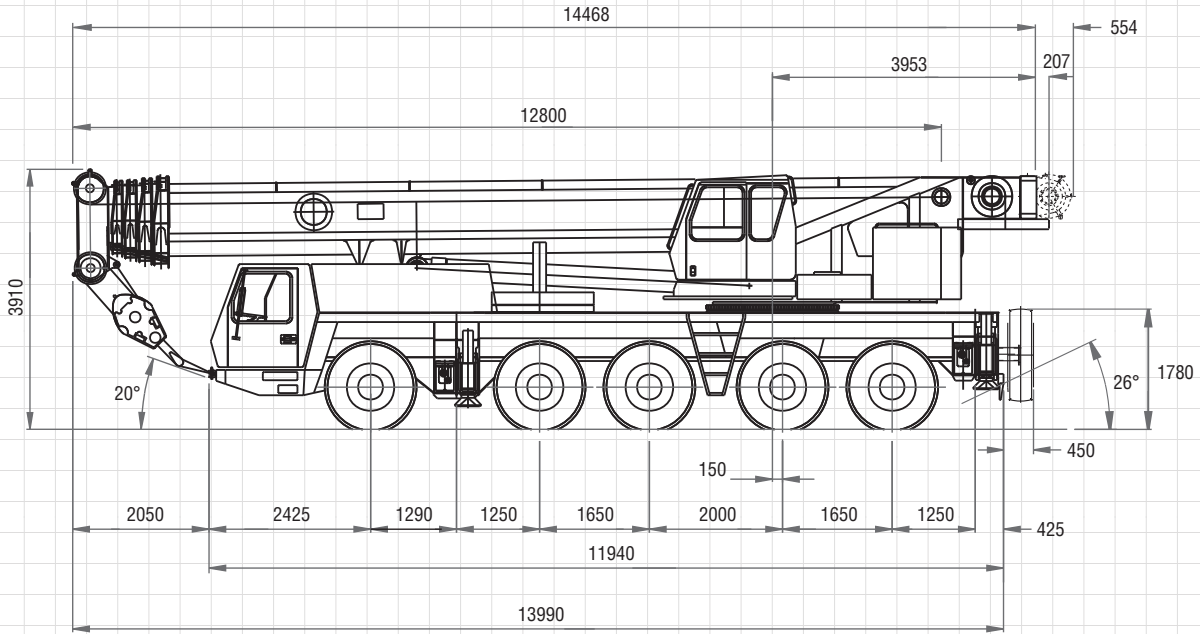
All Terrain

100

Tonne

All Terrain

100 Tonne Dimensions



**Safety first.
McLeod first.**

100

Tonne

All Terrain

100

Tonne

All Terrain

100 Tonne Working Range



12,8 – 51,0 m



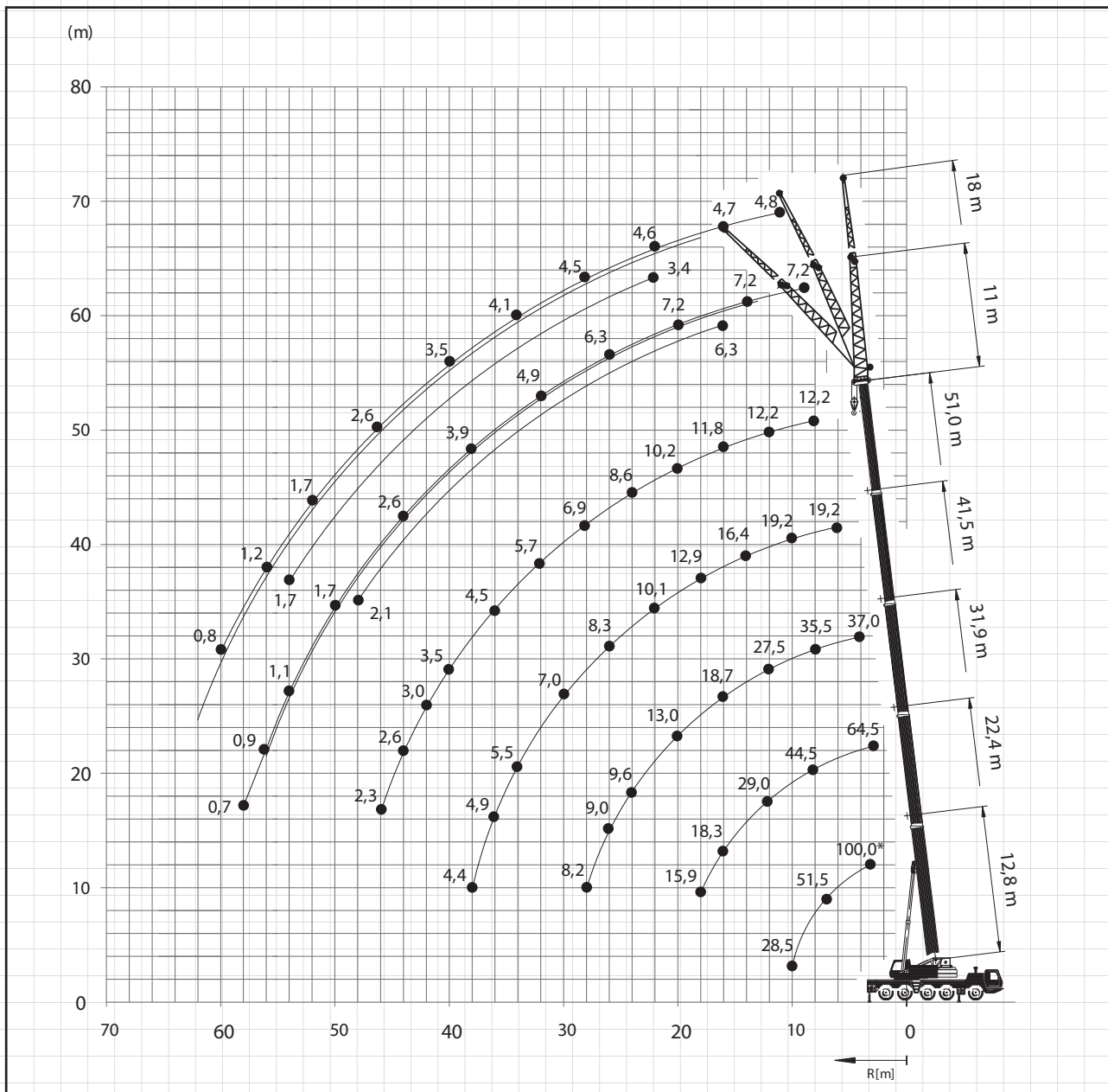
11/18 m



7,5 m



360°



**Safety first.
McLeod first.**

100

Tonne

All Terrain