



MCLEOD

CRANES | HIABS | TRANSPORT
DRILLING RIG LOGISTICS
LIFT ENGINEERING & CONSULTANCY

10 Tonne

City Crane

Kato MR100 / KH100

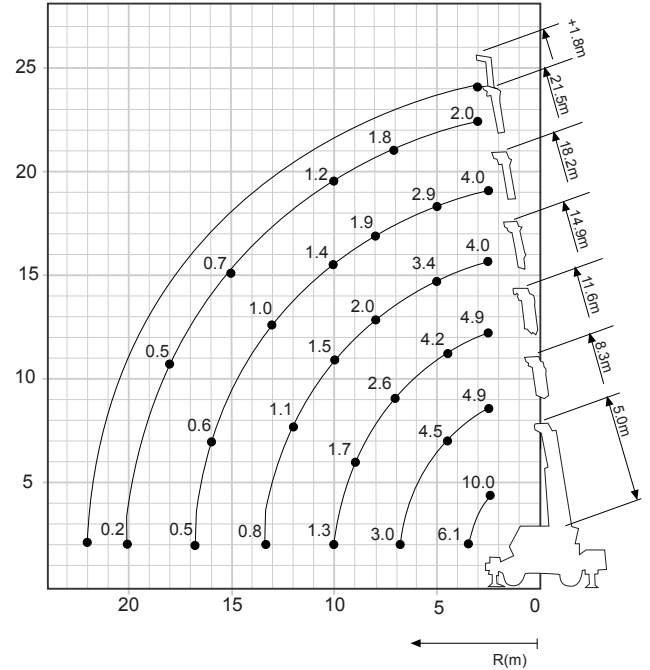
Lift Capacity: 10.0 Tonne
Boom Length: 21.5 m
Fly Jib Length: 1.8 m

Main Hook Weight: 75 Kg
Aux Hook Weight: 25 Kg
Line Pull: 1.4 Tonne
Spreader: 1.66m, 2.03m, 2.63m, 2.93m.

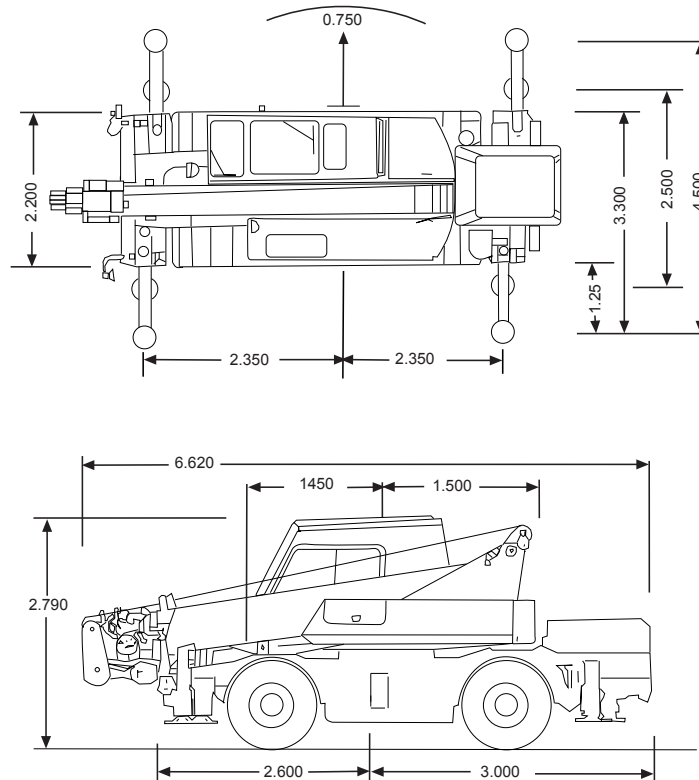
10 Tonne Rating Chart

| M | 5.0 | 8.3 | 11.6 | 14.9 | 18.2 | 21.5 |
|------|-------|------|------|------|------|------|
| 1.5 | 10.00 | 4.90 | 4.90 | | | |
| 2.0 | 10.00 | 4.90 | 4.90 | 4.00 | | |
| 2.5 | 10.00 | 4.90 | 4.90 | 4.00 | 4.00 | |
| 3.0 | 8.00 | 4.90 | 4.90 | 4.00 | 4.00 | 2.00 |
| 3.5 | 6.10 | 4.90 | 4.90 | 4.00 | 4.00 | 2.00 |
| 3.9 | | 4.90 | 4.90 | 4.00 | 3.60 | 2.00 |
| 4.2 | | 4.90 | 4.50 | 4.00 | 3.40 | 2.00 |
| 4.5 | | 4.55 | 4.20 | 3.75 | 3.20 | 2.00 |
| 5.0 | | 4.05 | 3.80 | 3.40 | 2.90 | 2.00 |
| 5.5 | | 3.70 | 3.45 | 3.05 | 2.65 | 2.00 |
| 6.0 | | 3.35 | 3.15 | 2.80 | 2.47 | 2.00 |
| 6.5 | | 3.05 | 2.90 | 2.55 | 2.30 | 1.90 |
| 7.0 | | | 2.65 | 2.35 | 2.15 | 1.80 |
| 8.0 | | | 2.25 | 2.00 | 1.90 | 1.60 |
| 9.0 | | | 1.77 | 1.75 | 1.65 | 1.40 |
| 10.0 | | | 1.37 | 1.53 | 1.45 | 1.23 |
| 11.0 | | | | 1.33 | 1.28 | 1.10 |
| 12.0 | | | | 1.15 | 1.13 | 1.00 |
| 13.0 | | | | 0.82 | 1.00 | 0.90 |
| 14.0 | | | | | 0.78 | 0.80 |
| 15.0 | | | | | 0.63 | 0.72 |
| 16.0 | | | | | 0.53 | 0.65 |
| 17.0 | | | | | | 0.57 |
| 18.0 | | | | | | 0.50 |
| 19.0 | | | | | | 0.35 |
| 20.0 | | | | | | 0.28 |

10 Tonne Working Range



10 Tonne Dimensions



**Think safety.
Think McLeod.**

The charts that have been included have been reproduced from manufacturer specifications, and while every effort has been made to ensure their accuracy, we do not accept any responsibility for errors or omissions.