



MCLEOD

CRANES | HIABS | TRANSPORT
DRILLING RIG LOGISTICS
LIFT ENGINEERING & CONSULTANCY

16

Tonne

City Crane

Kobelco RK160

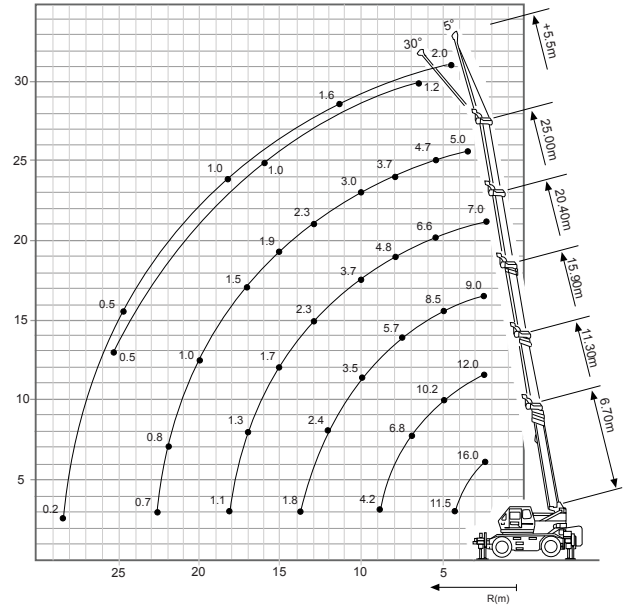
Lift Capacity: 16.0 Tonne
Boom Length: 25.0 m
Fly Jib Length: 5.5 m

Main Hook Weight: 140 Kg
Aux Hook Weight: 45 Kg
Line Pull: 2.6 Tonne
Spreader: 2.0m, 2.4m, 2.7m, 3.0m, 3.3m.

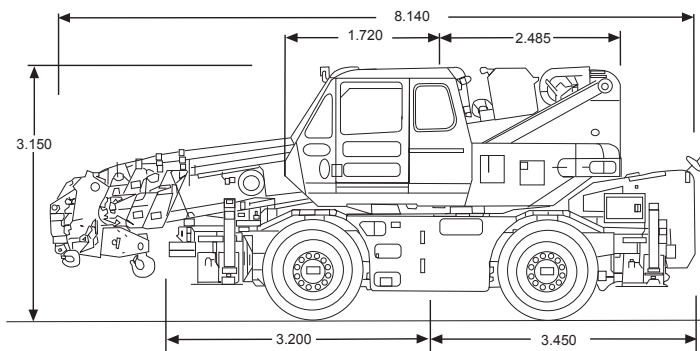
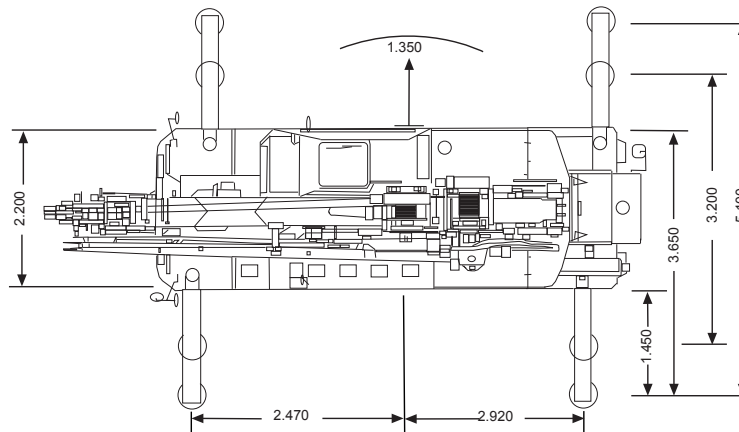
16 Tonne Rating Chart

M	6.7	11.3	15.9	20.4	25.0
2.5	16.00	12.00	9.00	7.00	
3.0	16.00	12.00	9.00	7.00	
3.5	14.00	12.00	9.00	7.00	5.00
4.0	12.50	12.00	9.00	7.00	5.00
4.5	11.50	11.10	8.50	7.00	5.00
5.0		10.25	8.05	7.00	5.00
5.5		9.40	7.60	6.60	4.75
6.0		8.55	7.15	6.20	4.55
6.5		7.70	6.70	5.80	4.35
7.0		6.84	6.20	5.50	4.15
7.5		6.00	5.70	5.15	3.90
8.0		5.30	5.20	4.85	3.70
9.0		4.25	4.25	4.30	3.30
10.0			3.50	3.75	3.00
11.0			2.90	3.20	2.70
12.0			2.45	2.75	2.50
13.0			2.05	2.35	2.30
14.0			1.85	2.05	2.10
15.0				1.75	1.90
16.0				1.50	1.70
17.0				1.32	1.50
18.0				1.15	1.30
19.0				1.15	1.15
20.0					1.00
21.0					0.90
22.0					0.80
24.0					0.74
26.0					
28.0					
30.0					

16 Tonne Working Range



16 Tonne Dimensions



**Think safety.
Think McLeod.**

McLEOD

The charts that have been included have been reproduced from manufacturer specifications, and while every effort has been made to ensure their accuracy, we do not accept any responsibility for errors or omissions.