



MCLEOD

CRANES | HIABS | TRANSPORT
DRILLING RIG LOGISTICS
LIFT ENGINEERING & CONSULTANCY

20 Tonne

Rough Terrain

Tadano TR200M-4

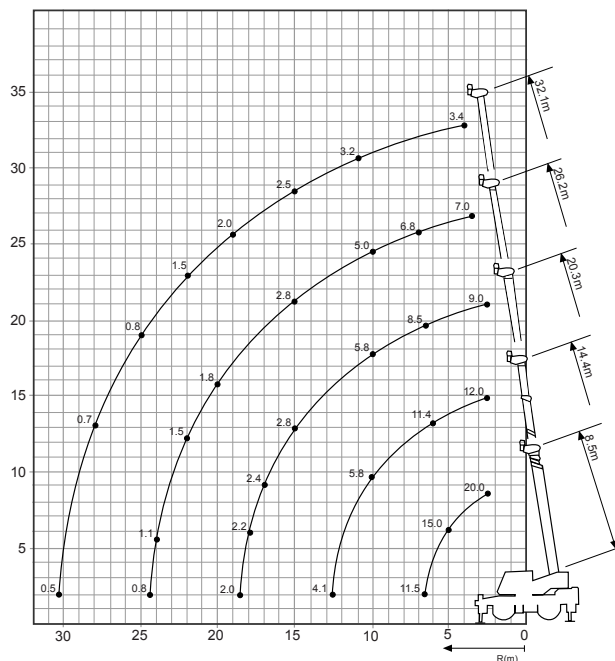
Lift Capacity: 20.0 Tonne
Boom Length: 32.1 m

Main Hook Weight: 220 Kg
Aux Hook Weight: 60 Kg
Line Pull: 3.3 Tonne
Spreader: 2.2m, 2.5m, 2.8m, 3.1m, 3.4m, 3.8m.

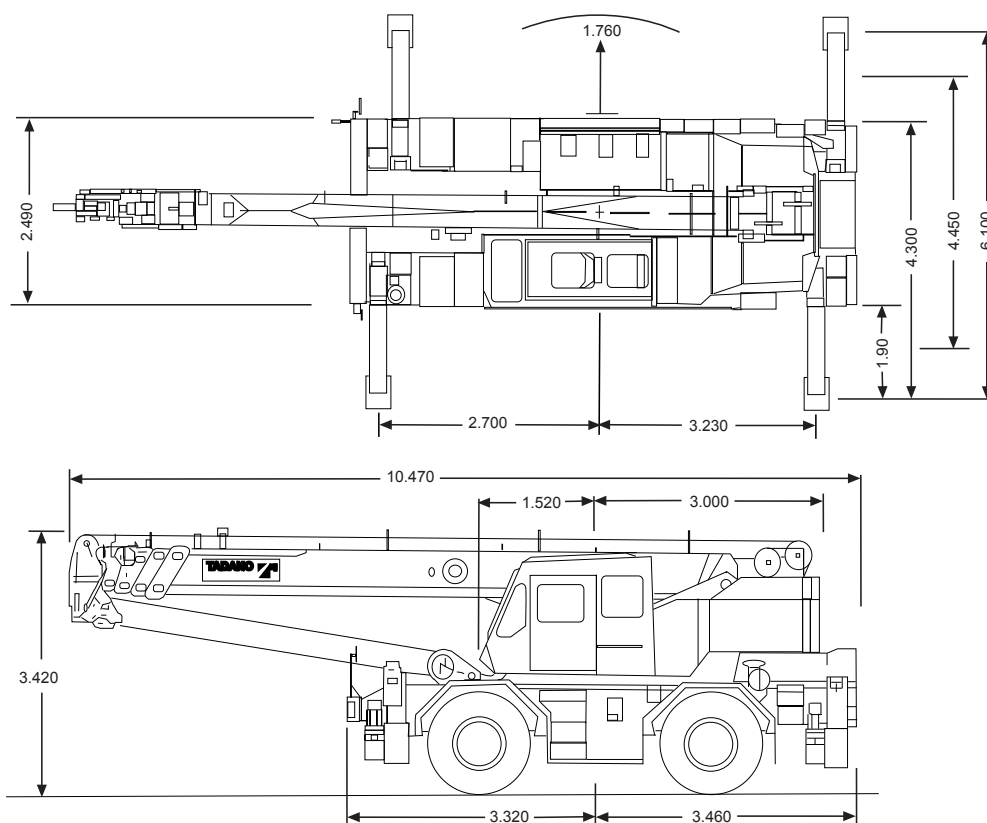
20 Tonne Rating Chart

M	8.5	14.4	20.3	26.2	32.1
2.5	20.0	12.0	9.0		
3.0	20.0	12.0	9.0		
3.5	20.0	12.0	9.0	7.0	
4.0	18.5	12.0	9.0	7.0	3.4
4.5	16.5	12.0	9.0	7.0	3.4
5.0	15.0	12.0	9.0	7.0	3.4
5.5	13.7	12.0	9.0	7.0	3.4
6.0	12.5	11.4	9.0	7.0	3.4
6.5	11.5	10.6	8.5	7.0	3.4
7.0		9.9	8.0	6.8	3.4
8.0		8.4	7.2	6.1	3.4
9.0		6.8	6.4	5.5	3.4
10.0		5.8	5.8	5.0	3.4
11.0		4.8	4.9	4.6	3.2
12.0		4.1	4.2	4.2	3.0
13.0			3.6	3.6	2.8
14.0			3.4	3.2	2.7
15.0			3.0	2.8	2.5
16.0			2.7	2.6	2.4
17.0			2.4	2.4	2.3
18.0			2.2	2.2	2.1
19.0				2.0	2.0
20.0				1.8	1.8
22.0				1.5	1.5
24.0				1.1	1.1
26.0					0.9
28.0					0.7
30.0					0.5

20 Tonne Working Range



20 Tonne Dimensions



**Think safety.
Think McLeod.**

McLEOD

The charts that have been included have been reproduced from manufacturer specifications, and while every effort has been made to ensure their accuracy, we do not accept any responsibility for errors or omissions.